



# High Precision Rotation Stage <QKSU-2>

The eccentricity measurement does not come from only factory's data, but also it is ensured by customers with less than 1  $\mu$  m.

It is recommended to use a special XZ stages for the sample centering. (QKSU-XZ)



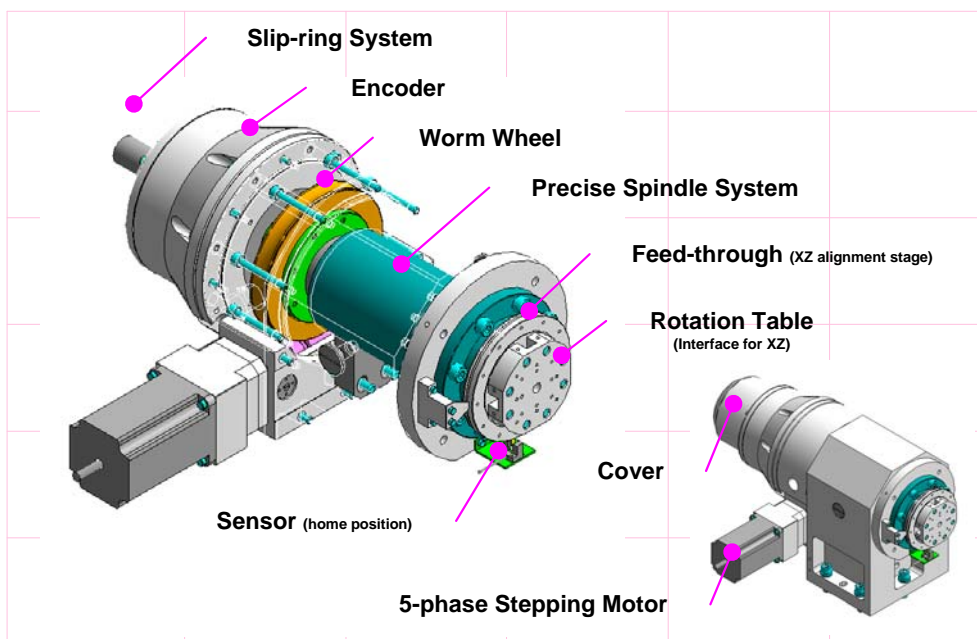
< KSU-1 : KEK >



< KSU-5 : KEK >



< KSU-12 : SP-8 >



## Specifications

Model	QKSU-2
Eccentricity	1 $\mu$ m
Resolution	0.00005 degree / step (with Microstep 1/100) 0.0001 degree (Heidenhain RON285)
Repeatability	0.0025 degree
Rotation Range	Over 360 degree (when sensor ignoring)
Maximum Speed	20 degree / sec
Maximum Load Capacity	10 – 20 g (sample)
Guidance Mechanism	Mechanical bearings

## Features

- ◆ 1  $\mu$  m eccentricity
- ◆ It was developed for micro-tomography, microscopy and other demanding X-ray research applications.
- ◆ No more useless data because of the smallest sample shift.
- ◆ It allows to attach a load with up to 400g (20g sample + 380g sample holder)
- ◆ 20 degree / sec rotation speed.
- ◆ Complete 360° degree rotation scans.
- ◆ 0.005° resolution
- ◆ The Precise Spindle System performs nearly like an expensive Air-Bearing System.
- ◆ The slip-ring allows a free 360 degree scan.

Kohzu Precision Co.,Ltd.  
Tel: +81-44-981-2131  
Fax: +81-44-981-2181  
Email:sale@kohzu.co.jp  
URL://www.kohzuprecision.com