

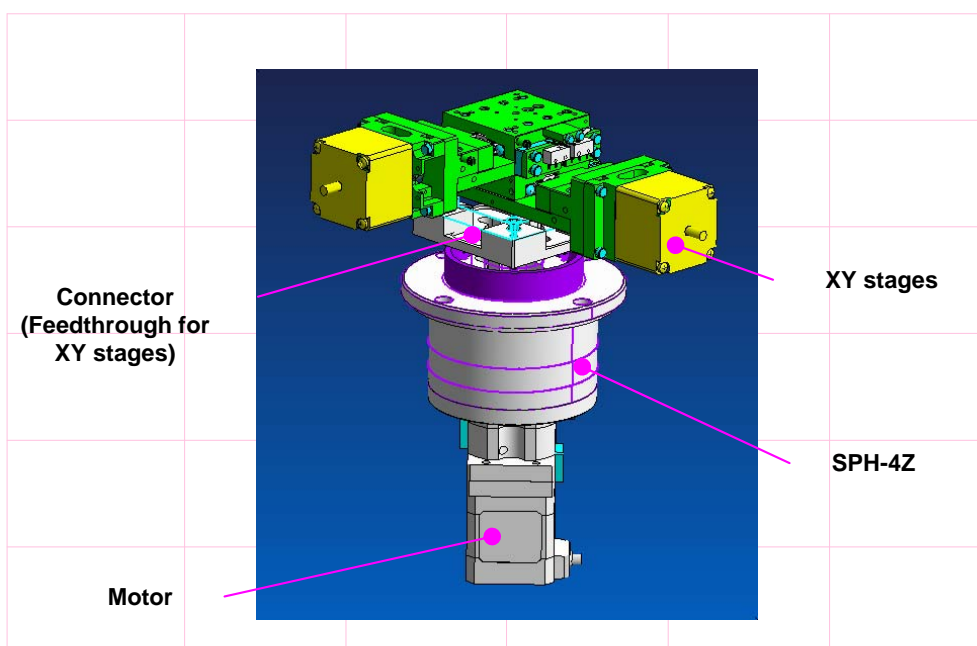


Attachment for Diffractometer Z Stage for ϕ Axis <SPH-4Z>

This product is Z stage which can be mounted on the ϕ axis of diffractometer. It is easy to remove so that it can coexist with magnetic scattering experiments. The size is match for Huber's rotary stage called Model 410.



<SPH-4Z>



Features

- ◆ Easy install to the Huber's rotary stage.
- ◆ The narrow body is reasonable for an another diffractometer.
- ◆ The customized guide system allows enough stiffness for maintain the sample position.
- ◆ The straightness showed within 3 μm / 20mm in the measurement.

- ◆ It allows to install XY stages on top to adjust a position of a sample.

Specifications

Model	SPH-4Z
Maximum Load	3 kg
Stroke	20 mm
Actuator	5-phase Stepping Motor
Guidance	Ball Bearing Guide (Guide MAX)
Straightness	8 μm / 20 mm
Dimension	ϕ 100 x 166 (mm)

Kohzu Precision Co.,Ltd.
Tel: +81-44-981-2131
Fax: +81-44-981-2181
Email:sale@kohzu.co.jp
URL://www.kohzuprecision.com