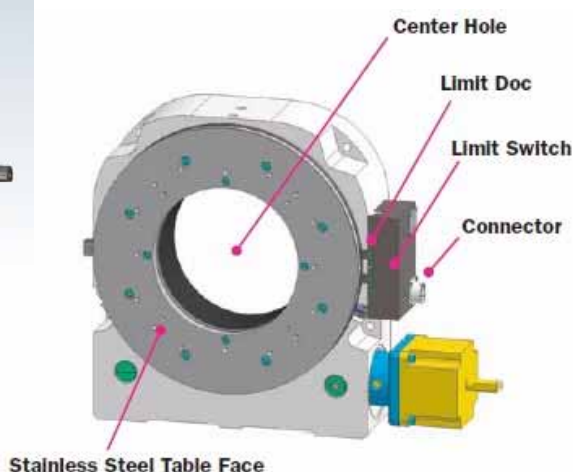
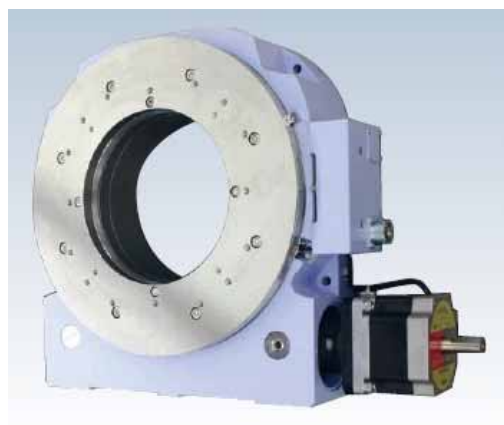


Super low eccentricity (1 μ m) Heavy duty rotation stage <WBRA30>



Features

- ◆ Kohzu original wire bearing guide mechanism
- ◆ Eccentricity 1 μ m/half-revolution
- ◆ Horizontal Load Capacity 500kgf, Vertical Load Capacity 100kgf (At the distance 150mm perpendicular to table top)
- ◆ Big center hole

Specifications

Model	WBRA30
Table Size (Bore, Height : mm)	Φ 300 (Φ 165, 115)
Motion Gear Range	$\pm 185^\circ$
Accuracy	$<0.005^\circ / 360$ degree
Resolution (Half-step)	0.001 $^\circ$
Repeatability (Measured Value)	0.001 $^\circ$ (0.0008 $^\circ$)
Eccentricity 【half-revolution】 (Measured Value)	1 μ m (0.8 μ m)
Wobble	20 μ rad
Maximum Speed	15 $^\circ /$ sec
Horizontal Load Capacity	500kgf
Vertical Load Capacity	100kgf
Weight	36kg

Kohzu Precision Co.,Ltd.
Tel: +81-44-981-2131
Fax: +81-44-981-2181
Email:sale@kohzu.co.jp
URL://www.kohzu.co.jp